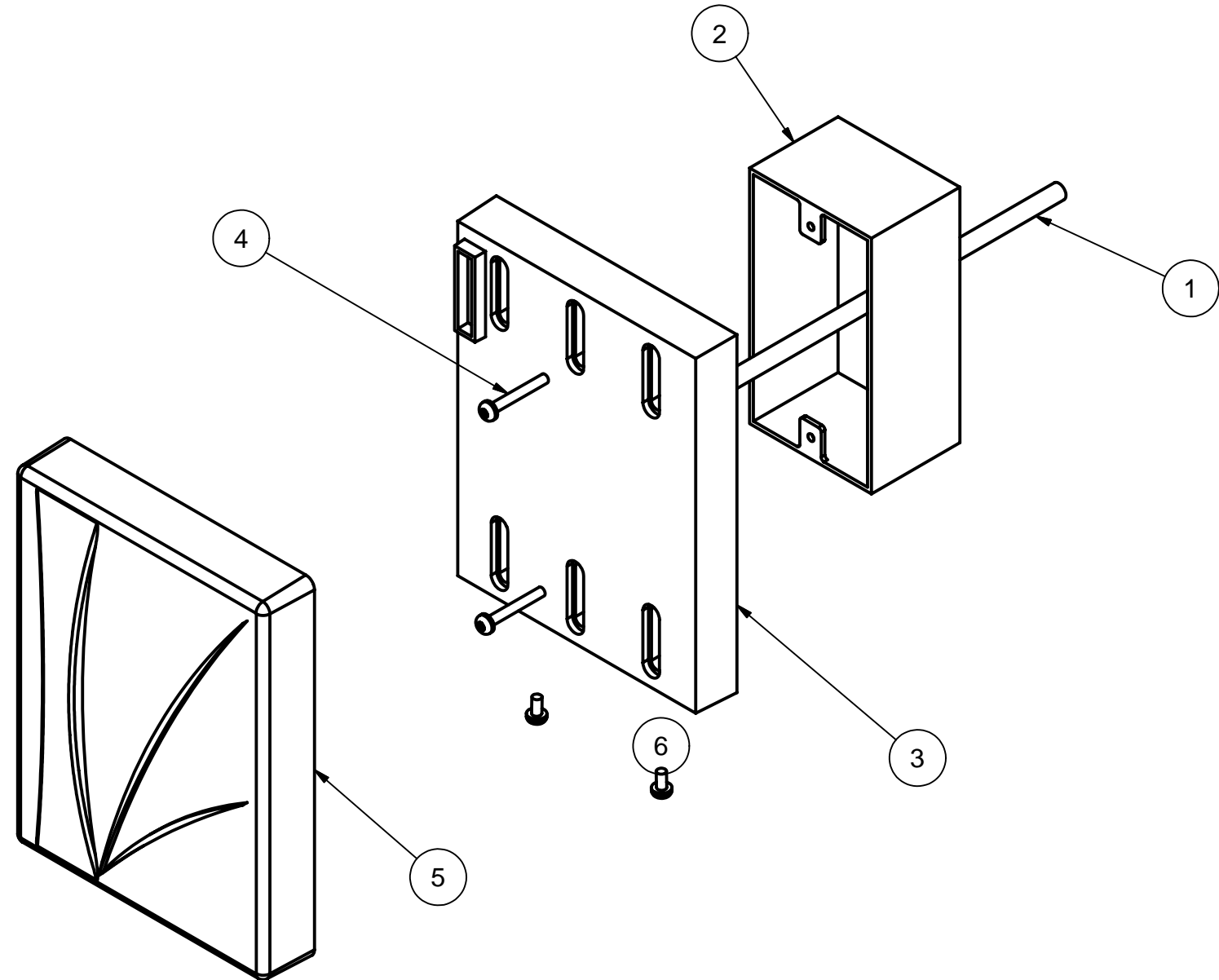


Installation Steps:

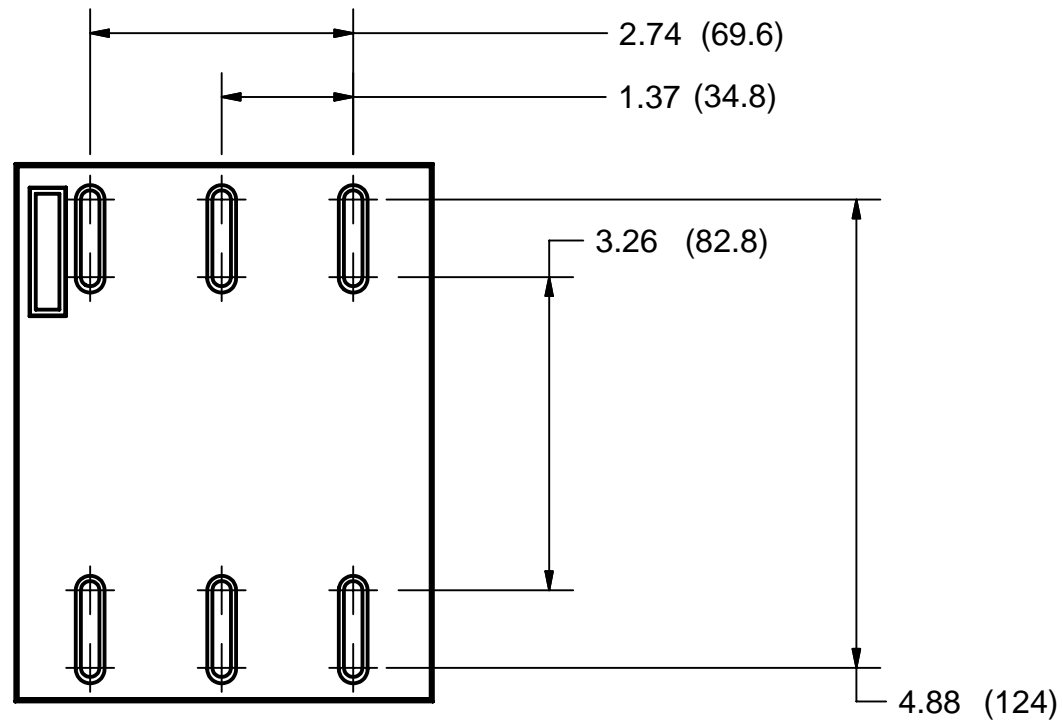
1. Pull the feed cable (1) through a hole in the back of the single gang box (2).
 2. Make necessary connections and cover connections with insulating material.
 3. Cut off tinned portion for all unused wires and wrap with electrical tape.
 4. Feed wire back through hole in gang box.
 5. Mount center slots of base (3) to single gang box using the #6-32 screws (4) provided
 6. Place cover (5) over base by lining up the indexing guides in the base and cover and slowly mating the two parts.
- IMPORTANT: WHEN PLACING COVER ON BASE, BE SURE TO KEEP COVER PARALLEL TO BASE AT ALL TIMES.**
7. Snap cover over base.
 8. Install security screws (6) provided with reader.

Wire Color/Function:

- Yellow - Beeper
- Blue - Hold
- Purple - Unused
- Green - Wiegand Data 0
- White - Wiegand Data 1
- Orange - Green LED
- Brown - Red LED
- Black - Ground
- Pink - Unused
- Gray - Unused
- Tan - Tamper Output (External)
- Bare - Shield Ground



Overall Reader Dimensions: 5.85" x 4.5" x 1.45"



Note: Dimensions in inches (mm)

DRAWN Mike Conlin	1/21/2006	XceedID Corporation		
CHECKED		TITLE		
QA		XF2100 Installation on Single Gang Box		
MFG		SIZE	DWG NO	REV
APPROVED		B	XF2100 install	1.0
		SCALE	SHEET 1 OF 1	